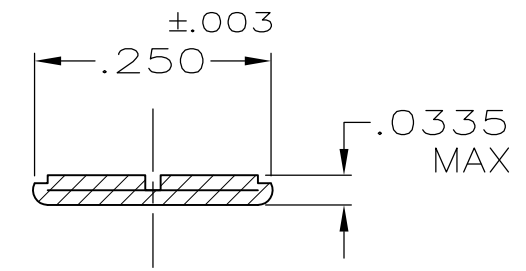
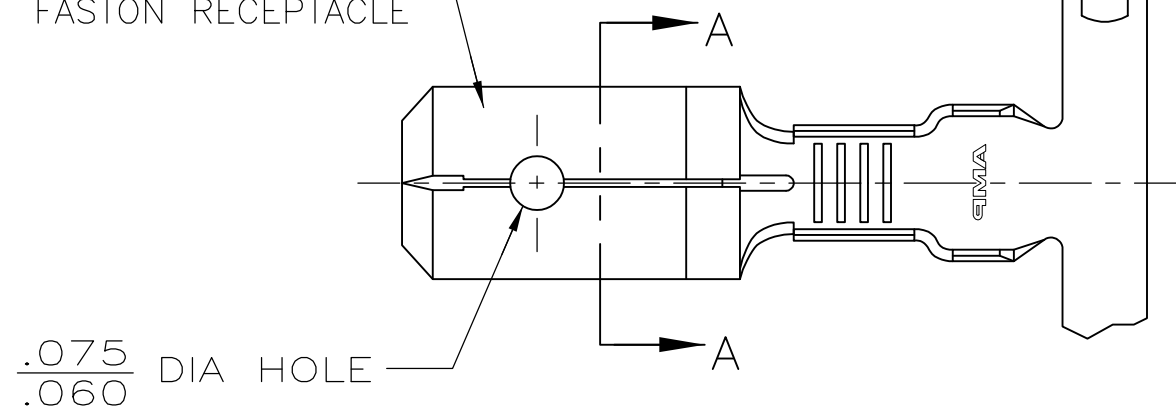


THIS DRAWING IS UNPUBLISHED. RELEASED FOR PUBLICATION
 © COPYRIGHT - By - ALL RIGHTS RESERVED.

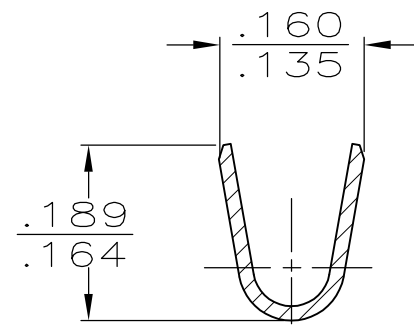
LOC	DIST	REVISIONS			
P	LTR	DESCRIPTION	DATE	DWN	APVD
AF	50	J	REVISED PER ECR-13-011489	06DEC2013	KH PD

1 CONTINUOUS STRIP ON REELS.

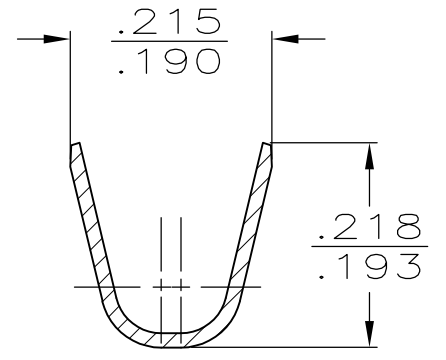
FITS .250 SERIES FASTON RECEPTACLE



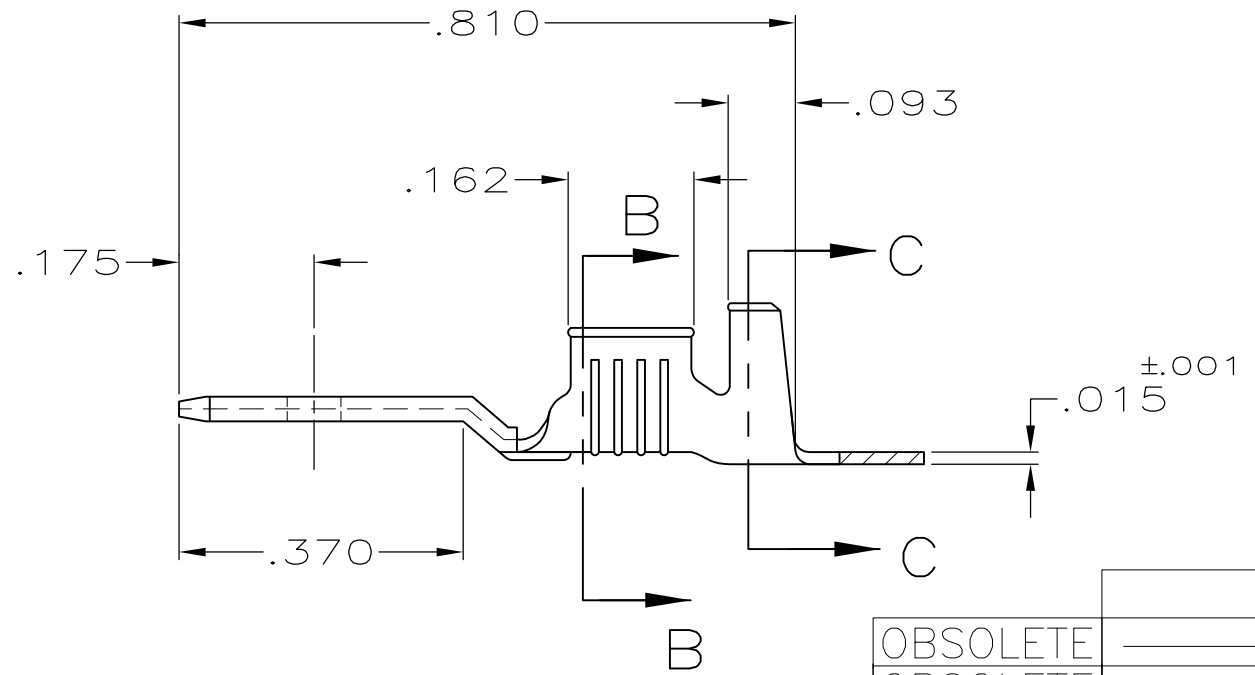
SECTION A-A
SCALE 5:1



SECTION B-B
SCALE 5:1



SECTION C-C
SCALE 5:1



TIN	.110-.170 DIA	14-12 AWG	61281-3
OBSOLETE			61281-2
OBSOLETE	SILVER .000150 MIN		61281-1
FINISH	INSULATION RANGE	WIRE SIZE	PART NO

THIS DRAWING IS A CONTROLLED DOCUMENT.		DWN	JR RUTH	1/31/91	TE Connectivity TAB, FASTON™ .250 SERIES								
DIMENSIONS: INCHES		CHK	MS FEHER	1/31/91									
TOLERANCES UNLESS OTHERWISE SPECIFIED:		APVD	C MEYERS	1/31/91/31/91									
0 PLC ± - 1 PLC ± - 2 PLC ± - 3 PLC ± .005 4 PLC ± - ANGLES ± -		PRODUCT SPEC		NAME									
MATERIAL	BRASS	FINISH	SEE TABLE	WEIGHT	-	SIZE	A3	CAGE CODE	00779	DRAWING NO	C-61281	RESTRICTED TO	-
CUSTOMER DRAWING						SCALE	4:1	SHEET	1 OF 1	REV	J		